

FORESPAR[®]

PRESS RELEASE

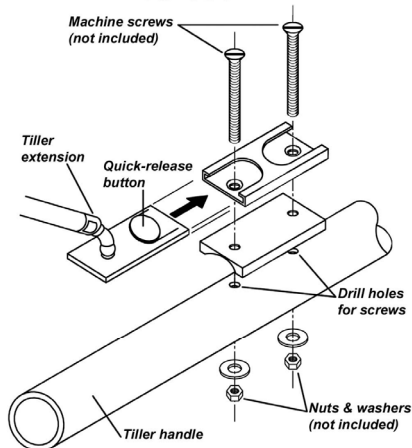
FOR IMMEDIATE RELEASE

Tuesday, February 08, 2005

THE FORESPAR CARBON FIBER BIG STICK



Installation



To Replace Universal Joint



CARRY A BIG STICK

Forespar is pleased to introduce the lightest, toughest, most rugged **carbon fiber** tiller extension in the market.

Each hand crafted 7/8" diameter extension comes with Forespar's proven "speed lock" (SL) universal which allows 360 degree rotation and is easily removed from the tiller.

The base plate is polymer material and the **universal can easily be unscrewed and removed from the tiller handle with simple hand tools if replacement is ever necessary.** Hole sizing is standard 1 1/4" centers.

The extension has a sandpaper like texture for easy gripping. Each extension comes with an epoxy kit so you can tailor the extension to a perfect size:

Length	Retail
24 inches\$49.95
30 inches\$69.95
36 inches\$78.95
48 inches\$89.95
60 inches\$98.95
72 inches\$106.95

For more details contact:

Bill Mosher • 414 220-9462 • fax 414 220-9465 • billm@forespar.com

