

*PureWater+*TM *by forespar*[®]

Installation Instructions



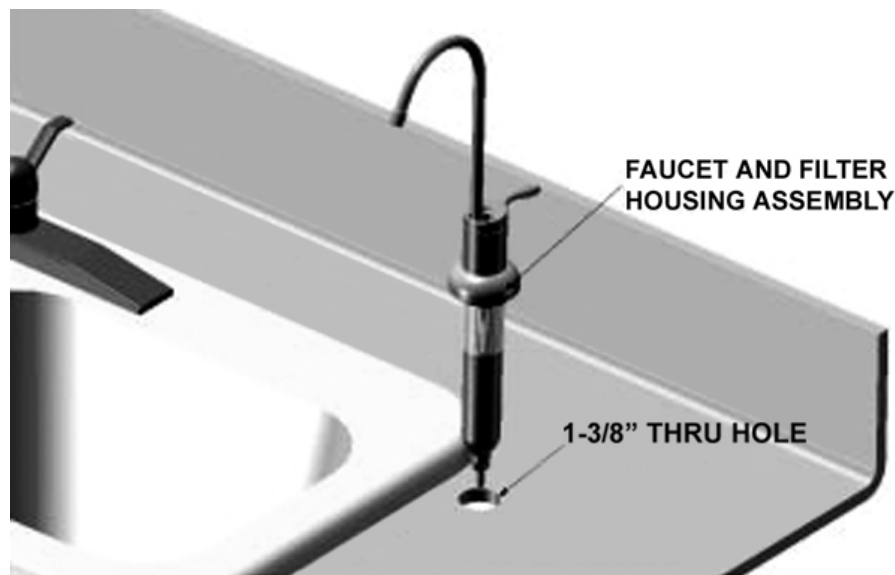
www.forespar.com

salestechsupport@forespar.com

Phone: 949-858-8820

GENERAL FAUCET INSTALLATION INSTRUCTIONS

1. A hole with a diameter of 1-3/8" should be drilled through the countertop, with the hole center at least 1-1/2" from any obstructions, above and below the countertop.
2. Install the faucet and filter assembly into the hole.
3. Screw the large plastic wing nut onto the filter housing from below the countertop, and then tighten while making sure that the rotational position of the unit is set to your preference.
4. Close your water supply valves and open the cold water faucet to release the inline pressure.
5. Install an appropriate T-fitting (not included due to installation variables) in the cold water flex line under the sink. Ensure the suitability of the chosen T-fitting before installing. Make sure your cuts in the tubing are square and clean.
6. Attach one end of the provided water feed tube to the T-fitting and the other end to the ball valve located at the bottom of the filter housing.
7. Make sure all connections are tight then turn on the cold water angle stop valve and check for leaks.
8. Purge (clean out) your new filtered water system for about 2 minutes then enjoy clean, pure and healthy drinking water!



Precautions:

Do not use with water that is microbiologically unsafe or of unknown quality without adequate disinfection before or after the system. This filter must be protected from freezing, which can cause cracking of the filter and water leakage.

Precautions Continued:

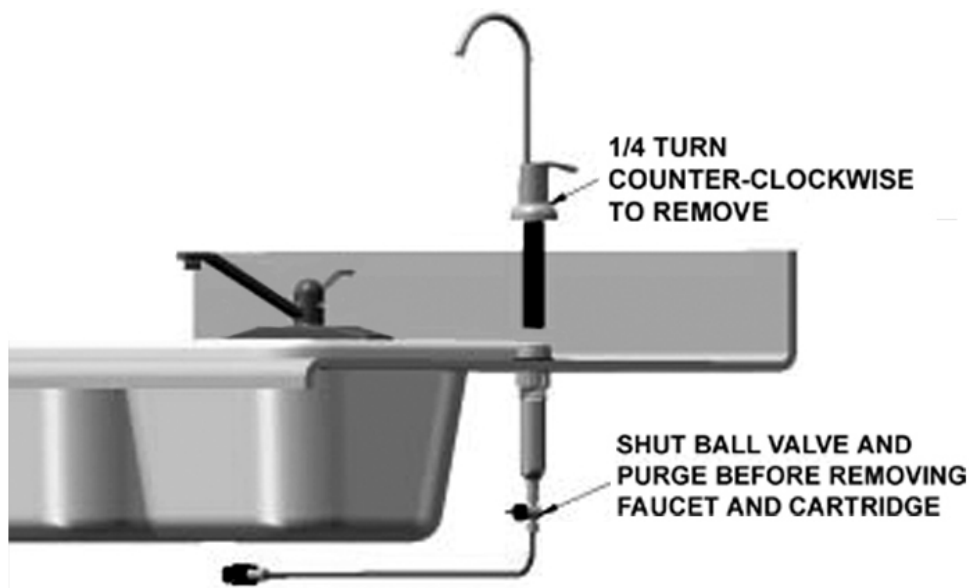
The countertop drilling procedure may generate dusts which can cause severe irritation if inhaled or come in contact with the eyes. The use of safety glasses and respirator for this procedure is recommended.

DO NOT ATTEMPT TO DRILL THROUGH AN ALL-PORCELAIN SINK. If you have an all-porcelain sink, mount the faucet in pre-drilled sprayer hole or drill through counter top next to sink. When drilling through a counter top make sure the area below the drilled area is free of wiring and piping.

NOTE: For cold water use only. Make certain that installation complies with all state and local laws and regulations. The contaminants or other substances removed or reduced by the selected cartridge are not necessarily in your water. After prolonged periods of non-use (such as during a vacation) it is recommended that the system be flushed thoroughly. Let water run for about five minutes before using. The filter cartridges used with this system have a limited service life. Changes in taste, odor and/or flow of the water being filtered indicate that the cartridge should be replaced.

FILTER CARTRIDGE REPLACEMENT INSTRUCTIONS

1. Close the ball valve at the bottom of the filter housing (under counter).
2. Purge the excess water out of the system by turning on faucet until there is no more water coming out.
3. Carefully grasp the faucet base and turn counter-clockwise ¼ turn to unlock the faucet and cartridge from the filter housing.
4. Lift the faucet and filter out of the filter housing then pull the cartridge out from the bottom of the faucet and replace with new cartridge.
5. Lower the faucet and new cartridge into the filter housing and turn ¼ turn clockwise to lock the faucet back into the filter housing.
6. Purge the new filter cartridge for about tow minutes, then enjoy clean, pure and healthy drinking water again!



www.forespar.com
salestechsupport@forespar.com
Phone: 949-858-8820

MARINE - STYLES

9/23/16

PureWater + Plumbing Installation Instructions

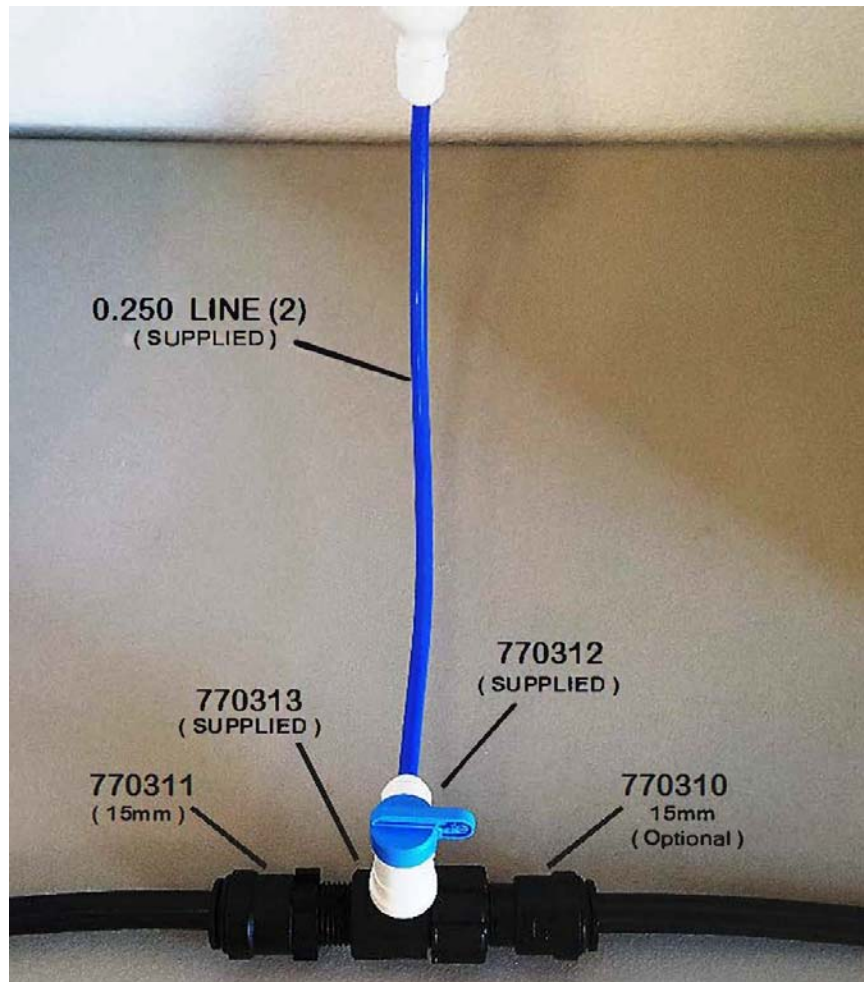
You're PureWater + Faucet comes with a basic plumbing kit. Using the components supplied and a minimum of parts from the store (or you can order on our website) there are 2 basic ways to plumb your faucet.

Style 1

You will need a 1/2" to 1/4" reducing "Tee" to splice into your existing water line. They are available from most hardware stores or direct from Forespar (see parts list). Most boats use 15mm "Pex" style tube for the water lines. If your boat has something else, please contact Forespar for assistance or visit your local hardware store for the proper parts.

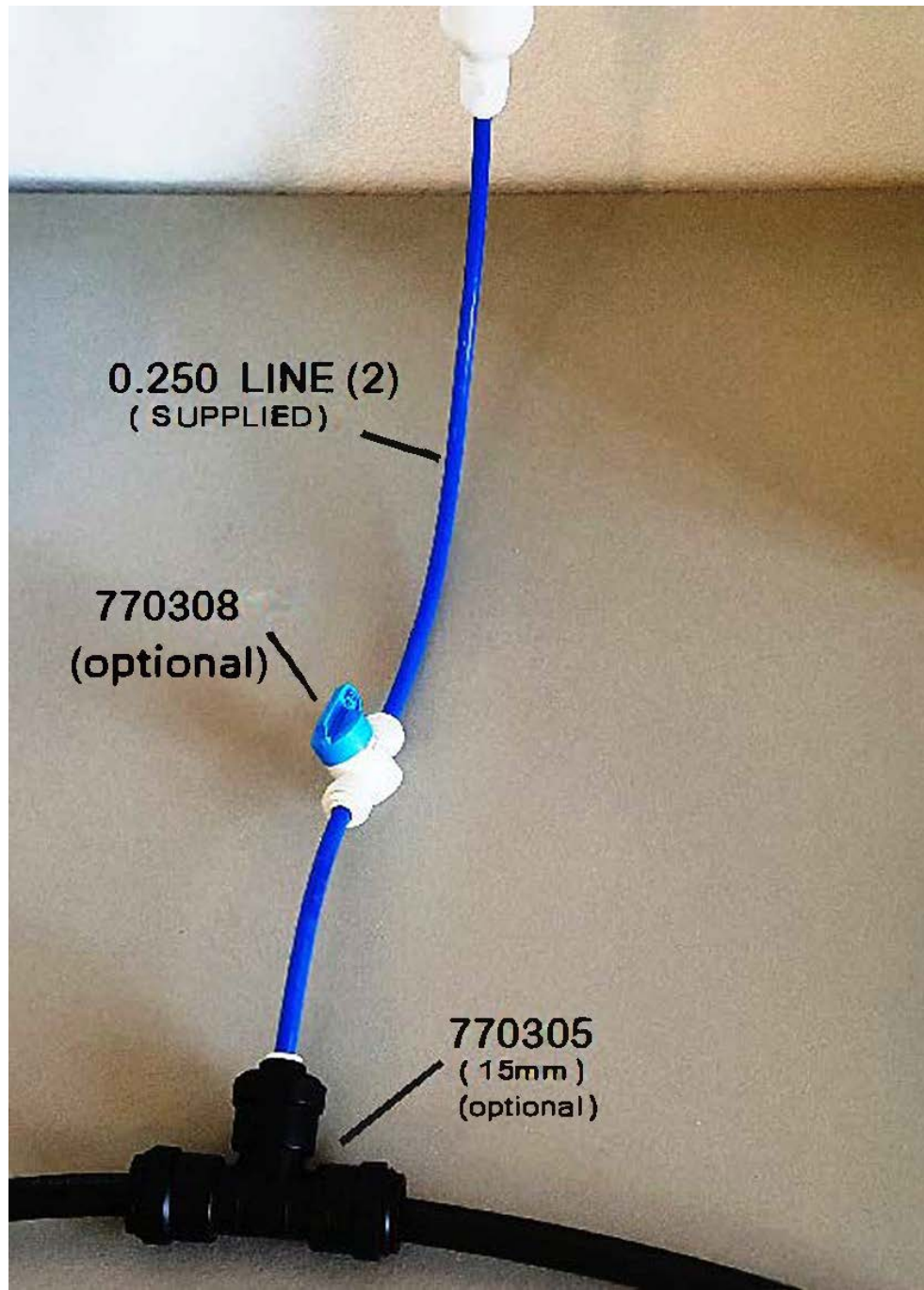
From the Tee, use the 1/4" tube provided and put the right-angle valve (blue handle) directly on the bottom of your water strainer. Simply push on and then pull slightly and the valve will be set. Use 1/4" male > 1/4" quick connect on the female portion of the valve to connect the 1/4" tube to the 1/4" part of the 15mm Tee coming off your water supply line. Make sure all the connections are tight and you are set.

Turn your water on and check for leaks. There shouldn't be any!



Style 2

If the valve is not easily reached on the bottom of the faucet, you can move it by adding a 1/4" male adaptor splice into the 1/4" tube we provide. In this way, you can place the valve anywhere on the 1/4" feed line you wish. The top of the faucet would use the provided 1/4" push-fit connector on the bottom of the filter.



PARTS:

