



Forespar® builds superior quality carbon fiber and aluminum RADAR spars for 16 nm and 24 nm radomes

CARBON FIBER MODELS

- The advantage of carbon fiber technology
- 3" carbon fiber tube 12' long standard
- Mil. spec. fully marinized electric alignment mechanism
- Railmount or Thru-deck mounting with ease
- Weight savings 9 feet above the waterline

ALUMINUM MODELS

- The cost savings of aluminum
- 3" aluminum tube 12' long standard
- Crank handle or electric alignment mechanisms
- Railmount or Thru-deck mounting with ease

FEATURES

- Instant horizon alignment a standard feature
- Versatile installation kit
- Provisions for optional antenna arms
- "Fixed Platform" models are available without the pivot assembly and alignment mechanism
- Matterhorn White Awlgrip finish on carbon models
- Matterhorn White powder coat finish on aluminum models

CARBON FIBER RADAR SPARS



CARBON FIBER OR ALUMINUM

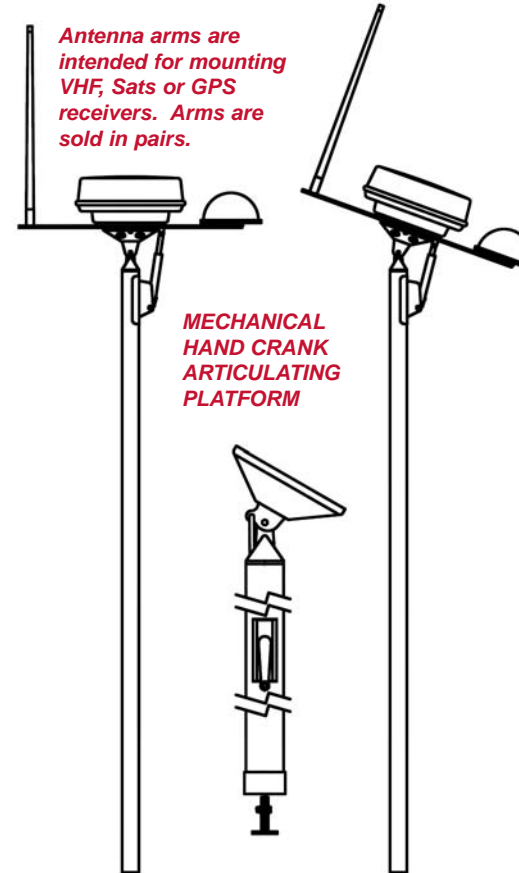
- FIXED PLATFORM MODELS
- CRANK HANDLE ARTICULATING MODELS
- ELECTRICAL ACTUATOR MODELS

MOUNTING OPTIONS

- RAILMOUNT
- THRU-DECK MOUNT

Carbon fiber articulating platform includes:
 Articulating RADAR platform
 3" carbon mast 12' long
 Electrical actuator and switch or crank.

Please request appropriate mounting hardware.



SEE OPPOSITE SIDE FOR

- ALUMINUM MODELS
- PART NUMBERS & DESCRIPTIONS

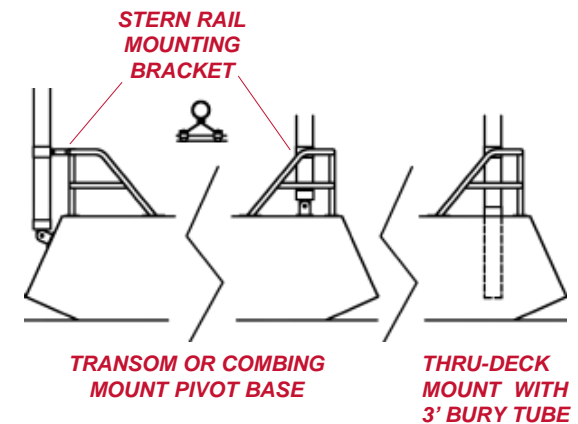
Carbon fiber fixed platform includes:
 Fixed RADAR platform
 3" carbon mast 12' long.

Please request the appropriate mounting hardware.

The length of the tube is 12' when shipped. If the spar is to be mounted on the stern or combing, 3' can be trimmed off of the bottom end. It is recommended that the radome be at least 9' above the deck.

Mounting hardware included, please indicate Transom or Thru-deck mount. Transom mount kit includes foot bracket as well as stern rail mounting bracket.

The Thru-deck mount includes 3' bury tube with cap and locking rotational pin.



ALUMINUM RADAR SPARS

Forespar's aluminum RADAR spar is the economical solution to stern mounting your 16 nm and 24 nm radomes, receivers and antennas.

A mechanically actuated articulating platform model uses a mechanical crank handle to instantly align the radome to the horizon.

A fixed platform model is also available without the pivot assembly and alignment mechanism.

Antenna arms are intended for mounting VHF, Sats or GPS receivers. The arms are sold in pairs.

Mounting hardware is included, please indicate Transom or Thru-deck mount. Transom mount kit includes foot bracket as well as stern rail mounting bracket.

The Thru-deck mount includes 3' bury tube with cap and locking rotational pin.

ARTICULATING HEAD



RAIL MOUNTING BRACKET



PIVOT BASE



FORESPAR PRODUCTS CORP.

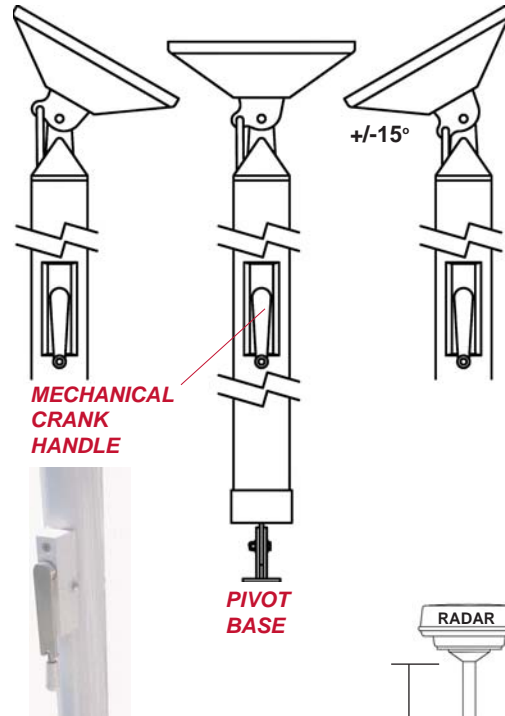
Phone 949-858-8820 Fax 949-858-0505

Email sales@forespar.com

Website www.forespar.com

Aluminum articulating platform includes:
Articulating RADAR platform
3" aluminum mast 12' long
Mechanical actuator and crank handle.

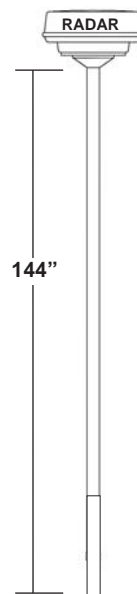
Please request the appropriate mounting hardware.



Aluminum fixed platform includes:

Fixed RADAR platform
3" aluminum mast 12' long.

The length of the tube is 12' when shipped. If the spar is to be mounted on the stern or combing, 3' can be trimmed off of the bottom end. It is recommended that the radome be at least 9' above the deck.



ALUMINUM FIXED PLATFORM

CARBON FIBER FIXED PLATFORM

ALUMINUM HAND CRANK ARTICULATING PLATFORM

CARBON FIBER HAND CRANK ARTICULATING PLATFORM

ALUMINUM ELECTRIC ARTICULATING PLATFORM

CARBON FIBER ELECTRIC ARTICULATING PLATFORM

Antenna Arms must be ordered with Radar Spar. They are not sold separately or for retrofit and must be factory installed

ALUMINUM RADAR KITS FIXED PLATFORM

Part No.	Model ALUMINUM	Size
152204	15" Stern Rail Mount	24 nm range radomes
152205	15" Thru-Deck Mount	24 nm range radomes
152206	12" Stern Mount	16 nm range radomes
152207	12" Thru-Deck Mount	16 nm range radomes

CARBON FIBER RADAR KITS FIXED PLATFORM

Part No.	Model CARBON FIBER	Size
800960	15" Stern Rail Mount	24 nm range radomes
800965	15" Thru-Deck Mount	24 nm range radomes
800950	12" Stern Rail Mount	16 nm range radomes
800955	12" Thru-Deck Mount	16 nm range radomes

MECHANICAL HAND CRANK ALUMINUM RADAR KITS ARTICULATING PLATFORM

Part No.	Model ALUMINUM	Size
152200	15" Stern Rail Mt. Mech.	24 nm range radomes
152201	15" Thru-Deck Mt. Mech.	24 nm range radomes
152202	12" Stern Rail Mt. Mech.	16 nm range radomes
152203	12" Thru-Deck Mt. Mech.	16 nm range radomes

MECHANICAL HAND CRANK CARBON FIBER RADAR KITS ARTICULATING PLATFORM

Part No.	Model CARBON FIBER	Size
800913	15" Stern Rail Mt. Mech.	24 nm range radomes
800911	15" Thru-Deck Mt. Mech.	24 nm range radomes
800912	12" Stern Rail Mt. Mech.	16 nm range radomes
800910	12" Thru-Deck Mt. Mech.	16 nm range radomes

ELECTRIC TILT ALUMINUM RADAR KITS ARTICULATING PLATFORM

Part No.	Model ALUMINUM	Size
152225	15" Stern Rail Mt. Elec.	24 nm range radomes
152227	15" Thru-Deck Mt. Elec.	24 nm range radomes
152226	12" Stern Rail Mt. Elec.	16 nm range radomes
152228	12" Thru-Deck Mt. Elec.	16 nm range radomes

ELECTRIC TILT CARBON FIBER RADAR KITS ARTICULATING PLATFORM

Part No.	Model CARBON FIBER	Size
800900	15" Stern Rail Mt. Elec.	24 nm range radomes
800905	15" Thru-Deck Mt. Elec.	24 nm range radomes
800920	12" Stern Rail Mt. Elec.	16 nm range radomes
800925	12" Thru-Deck Mt. Elec.	16 nm range radomes

ANTENNA ARMS

Part No.	Model ALUMINUM	Size
152230	Antenna arms (pair)	12" long each
152240	Antenna arms (pair)	15" long each

Part No.	Model CARBON FIBER	Size
800930	Antenna arms (pair)	12" long each
800940	Antenna arms (pair)	15" long each