



# FORESPAR®

## TILLER EXTENSIONS



For over 30 years Forespar® has been making tiller extensions for the sailing industry. Our logo “*Marine Products that Perform*” starts with helping sailors steer their boats properly for good performance in all weather conditions both cruising and racing. Whether you use a telescoping extension or a fixed aluminum or carbon you will be using simply the “best” extensions in the industry. In addition, you have the choice of 3 distinctively different “connections” which attach the extension to the tiller for reliability and performance.



### TWIST-LOCK TILLER EXTENSIONS

The industry standards are set by Forespar's complete line of hiking sticks with designs and lengths to satisfy every sailor. Our telescoping models offer a choice of two excellent fastening devices:

#### TFP (Quick-Release) and SF (Sta-Fast™)

A long time favorite of serious sailors around the world, the **TFP (Quick-Release)** model can be instantly fastened to the tiller by simply depressing the plunger and inserting the detent pin into the special tubular fitting supplied. Again, an easy push on the plunger and the hiking stick is released from the tiller. Stow it or take it home with you. It's fast, simple and secure.

### THE ULTIMATE RACER'S CHOICE.



**New composite cam locks give our time tested twist lock tiller extensions a crisp, positive bite while freely unlocking with a quick turn of the wrist.**

| Part No. | Model | Telescopes | Tube Dia.   |
|----------|-------|------------|-------------|
| 104016   | TFP-S | 19" to 32" | 3/4" - 5/8" |
| 104017   | TFP-M | 27" to 48" | 3/4" - 5/8" |
| 105110   | STX   | 30" Fixed  | 3/4"        |
| 105120   | STX   | 36" Fixed  | 3/4"        |
| 108100   | SF-S  | 19" to 32" | 3/4" - 5/8" |
| 108101   | SF-M  | 27" to 48" | 3/4" - 5/8" |

### THE BALL END & GOLF GRIP SWIVEL STICK

Forespar's economical fixed length tiller extension is now a better value. Featuring our removeable Speed Lock (SL) rubber universal end fitting mounted on rugged 5/8" dia. black anodized aluminum tubing with rubber Ball End or Golf Grip style handle. For the small boat (up to 22' maximum) sailor. Available in four of the most popular lengths: 18", 24", 30" & 36".



| Part No. | Model No.                                   | Length |
|----------|---|--------|
| 102000   | SW-18                                       | 18 in. |
| 102001   | SW-24                                       | 24 in. |
| 102002   | SW-30                                       | 30 in. |
| 102003   | SW-36                                       | 36 in. |
| 102008   | SWG-18                                      | 18 in. |
| 102004   | SWG-24                                      | 24 in. |
| 102005   | SWG-30                                      | 30 in. |
| 102006   | SWG-36                                      | 36 in. |
| 102117   | Replacement Speedlock Universal Curved Base |        |
| 102119   | Speedlock Base                              |        |
| 102120   | Speedlock Base Tube Diameters 5/8"          |        |



### “BIG STICKS” CARBON FIBER TILLER EXTENSIONS

- **Light, Stiff, Rugged**
- **Precise Helm Control**



Our rugged, light weight tiller extensions are built to last the test of time on any go fast dinghy, catamaran or keel boat. They are simple yet elegant. Nothing to go wrong. 7/8" diameter shaft for a solid grip for either men or women. **NO Frills, just an extension! Black only.**

All straight tubes so that they can be modified by each sailor to tailor fit his/her boat. All come with our proven **SPEED-LOCK** design for quick mount/dismount and easy replacement if necessary. The extensions are shipped loose for custom lengths to suite your class requirements. Simply cut the tube to length and epoxy the **SPEED-LOCK** fitting on to the end of the tube. An epoxy kit supplied with each new extension.

| Part No. | Model            | Length |
|----------|------------------|--------|
| 102213   | Big Stick Carbon | 24"    |
| 102214   | Big Stick Carbon | 30"    |
| 102215   | Big Stick Carbon | 36"    |
| 102216   | Big Stick Carbon | 72"    |

## OCEANRACER™

- Comfortable Grip
- Infinite Lock Positions
- Stainless Steel TFP Universal Joint
- White Powder Coated Anodized Aluminum Or Carbon Fiber

The **Forespar® OceanRacer™** has been the choice of offshore and inshore racing helmsmen for years. Major world events see the **OceanRacer™** on top boats from every port. This year, these extensions have been optimized with the addition of a sturdy remote operating trigger and optional **StaFAST™** connection.

Constructed of white powder coated anodized aluminum with a stainless steel attachment fitting, this tiller extension is built to withstand the rigors of offshore competition. The **OceanRacer™** is unmatched for comfort and control.



**CARBON FIBER OUTER TUBE**

| Part No. | Model No.                                | Telescopes           |
|----------|--|----------------------|
| 106025   | OR-2 (Alum. w/ TFP Quick Rel.)           | 31" to 41"           |
| 106225   | OR-2-SF (Alum. w/ Sta-FAST option)       |                      |
| 106400   | OR-2 (Carbon Fiber w/ TFP Quick Release) | Tube Diameter 1-1/4" |

## FORESPAR PRODUCTS CORP.

Phone 949-858-8820 Fax 949-858-0505  
 Email sales@forespar.com  
 Website www.forespar.com

## FORESPAR TILLER EXTENSION CONNECTIONS

**Forespar®** tiller extension connections are offered in **3 distinctly different** yet wonderfully engineered & proven configurations each with it's own design and purpose.

### Stafast (SF)

This patented design holds the tiller extension



**EXACTLY WHERE YOU LEAVE IT BEFORE THE TACK!!**



A nylock nut on the set screw which holds the extension to the pin can be tightened down and locked in place at any position. This way the tiller stays at the same angle so that after crossing the boat the sailor is able to reach back and find the extension in the same position he/she left it.

### TFP Quick Release End (TFP)

Simply push the button and stow it or take it home with you. It's fast, simple and secure.



| Part No. | Description                       |
|----------|-----------------------------------|
| 104004   | TFP Assembly Complete With Socket |
| 104006   | TFP Socket (receptacle only)      |

## SPEED-LOCK Universal End (SL)

**Forespar®** has taken "universal" tiller end fittings to the next level. Our unique "Speed-Lock" end allows for a full 360° of rotation (twist) without binding or failure. It is quickly and easily removed from the tiller by simply depressing the "button" in the base plate and sliding the end out. The base plate is a polymer material for maximum longevity and the universal can be easily unscrewed from the tiller handle and replaced with simple hand tools, if replacement ever becomes necessary

### SPEED-LOCK (SL)

Base dimensions

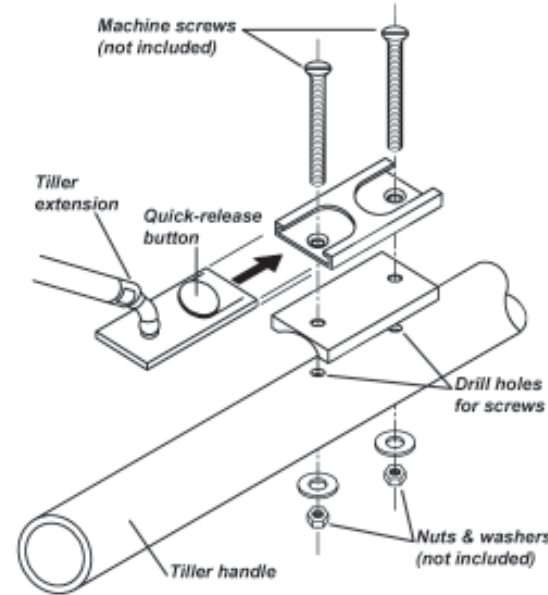
1-1/4" x 2"

Hole Spacing

1-1/4" Centers



### Installation



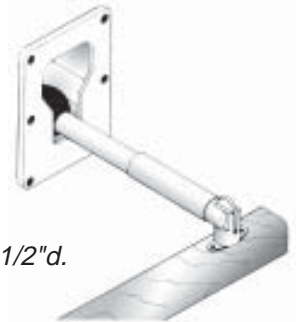
### To Replace Universal Joint



## TILLER LOCK BOX (TLB)



This inexpensive product turns any boat with a ball-grip **Forespar®** tiller extension into a boat with a simple, effective and adjustable tiller lock. Install one into your cockpit coaming and you have it in minutes!



Cut-out dimensions :  
 3-3/8"w X 4-3/4"h X 1-1/2"d.

## TILLER CLIPS

Molded of **Marelon®** for exceptional strength.



| Part No. | Model No. | Size               |
|----------|-----------|--------------------|
| 941020   | MF-671    | 3/4" Tubing Clip   |
| 941021   | MF-672    | 7/8" Tubing Clip   |
| 941022   | MF-673    | 1" Tubing Clip     |
| 941023   | MF-674    | 1-1/8" Tubing Clip |