

VENTED LOOPS

Installing one of our vented loops will ensure that fluids will not siphon from tank to tank. Vented Loops are commonly used in the marine toilet system and engine cooling system. The simple valve system incorporated in the top of the loop allows air to enter the line when not in use, yet effectively seals as water or other fluid passes through. Molded in **Marelon®**, neither vent nor loop will corrode. The duckbill one way valve is designed to seal properly if particulate matter is present in fluids. The new MF846 vent barb assembly option can be used in lieu of the standard MF841 cap/duckbill. This option allows venting to the outside of the hull via a 1/4" hose.



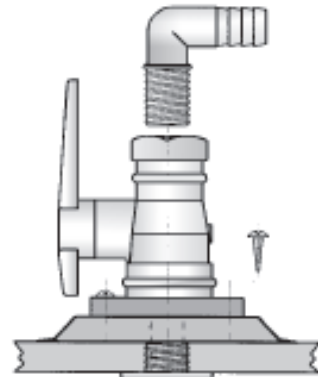
Part No.	Model No.	Barb Size	Height	Width
903000	MF 840	1-1/2"	5-1/4"	7-3/4"
903001	MF 842	3/4"	4-1/2"	3-3/4"
903002	MF 841	Vent Cap Assembly		
903003	MF 843	5/8"	4-1/2"	4"
903004	MF 846	Vent Barb Assembly		
903007	MF 844	1"	7"	9"
903008	MF 845	1/2"	5-1/4"	4-1/4"
903009	MF 847	1-1/8"	7"	9"

Y-VALVES



Part No.	Model No.	Barb Size
902000	MF 852	1-1/2"
902001	MF 853	1"
902006	Y-Valve Parts Kit (fits all sizes)	
902007	MF 854	3/4"
902008	MF 855	1-1/8"

TYPICAL SEACOCK INSTALLATION



Part No.	Seacock Model No.	Thread Size	Height	Height w/Handle	Base
904009	MF 849 1/2	1/2"	3"	4"	3"
904010	MF 849 3/4	3/4"	3"	4"	3"
904011	MF 849 1-1/2	1-1/2"	5"	8"	6"

MARELON COMPARISON CHART

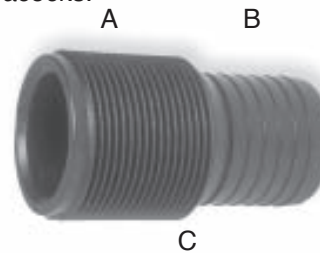
	U.V. Degredation	Corrosion Resistance	Abrasion Resistance	Tensile Strength**	Flexural Modulus***	ABYC * Requirement	U.L. * Requirement	Total Score
MARELON	10	10	10	27,000psi 10	1,300,000mPa 10	10	10	60
BRONZE	10	4	10	35,000psi 10	15,000,000mPa 10	10	10	54
BRASS	10	0	10	45,000psi 10	11,000,000mPa 10	0	0	40
NYLON 101	6	10	5	12,000psi 10	410,000mPa 4	0	0	35
POLYPROPYLENE	8	10	7	4150psi 2	75,000mPa 2	0	0	29
ACETAL	5	10	6	10,000psi 5	450,000mPa 5	0	0	31
PVC	3	10	2	5015psi 3	434,000mPa 3	0	0	21

Marelon® is a registered trademark of Forespar Products Corp.
 * Minimum physical properties required for approval are:
 Tensile strength 10,900psi 75mPa
 Flexural modulus 500,000psi 3480mPa

** Value by test to ASTM D638 (American Society of Testing & Materials)
 *** Value by test to ASTM D790 (American Society of Testing & Materials)

TAILPIPES / HOSE CONNECTORS

Our Tailpipes are also made from high-strength composite polymer **Marelon®**. Perfect choice for joining hose lines to **Forespar®** Ball Valves and Seacocks.



Part No.	Model No.	Thread Size	Tailpipe Dia.	A	B	C
905006	CF 252 1/2	1/2"	5/8"	1"	1"	2-1/4"
905007	CF 252 3/4	3/4"	3/4"	1"	1"	2-3/8"
905008	CF 252 1	1"	1"	1-1/2"	1-1/16"	2-7/8"
905009	CF 252 1-1/4	1-1/4"	1-1/4"	1-5/8"	1-1/4"	3-1/4"
905010	CF 252 1-1/2	1-1/2"	1-7/16"	1-7/16"	1-1/8"	2-5/8"
905011	CF 252 2	2"	2"	1-11/16"	1-1/4"	3-1/4"

IMPORTANT DATA

THREADS

Marelon® plumbing fittings have **NPT** parallel threads. The threads can be sealed with Teflon® tape or plumber's dope. **Marelon®** can be used with any marine grade sealant or bedding compound, using the same techniques as with bronze fittings. Bronze and **Marelon®** fittings can be fit together. Caution not to cross thread.

TEMPERATURE RANGE

Marelon® has an excellent operating temperature range from -40° to +176° Fahrenheit.

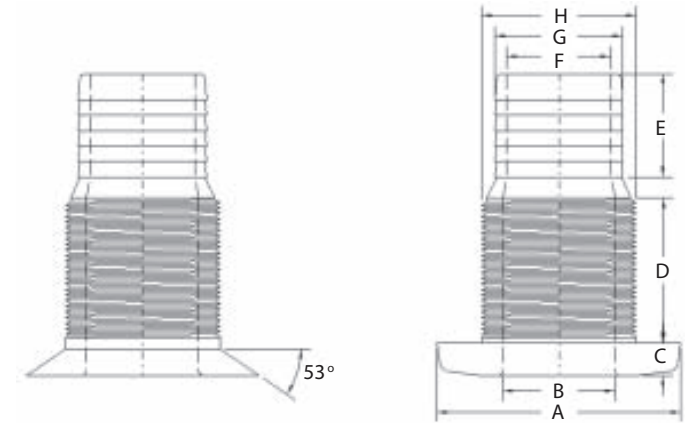
MAINTENANCE

Maintenance is simple. Simply activate the valves on a regular basis and lubricate with winch grease, Lanacote®, or water pump grease twice a year. **Marelon®** is UV stabilized and will not deteriorate in sunlight.

- CORROSION RESISTANT
- HIGH STRENGTH
- EXCEEDS MARINE UL/ABYC
- CHOICE OF THE WORLD'S TOP BUILDERS



THRU-HULL CONNECTORS



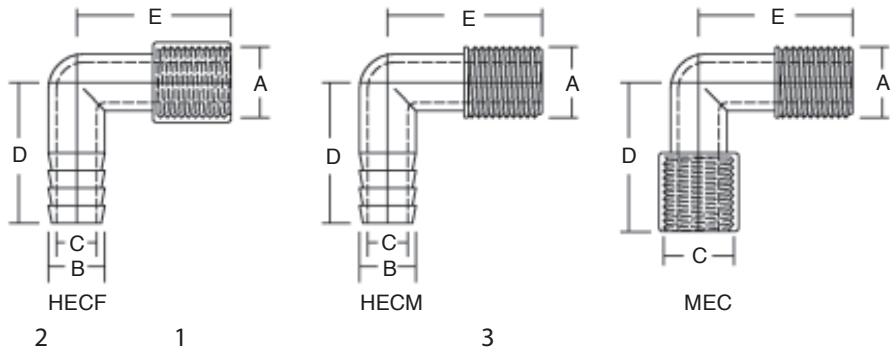
SERIES	SIZE	A	B	C	D	E	F	G	H
250	1/2"	2.375	.430	.325	2.000	N/A	N/A	N/A	.810
	3/4"	2.430	.665	.320	2.250	N/A	N/A	N/A	1.015
	1"	2.835	.875	.320	2.375	N/A	N/A	N/A	1.285
	1-1/4"	2.820	1.115	.325	3.000	N/A	N/A	N/A	1.635
	1-1/2"	2.810	1.380	.320	3.000	N/A	N/A	N/A	1.850
251	1/2"	1.500	.448	.256	2.125	N/A	N/A	N/A	.810
	3/4"	2.084	.690	.335	3.093	N/A	N/A	N/A	1.028
	1"	2.345	.880	.288	2.400	N/A	N/A	N/A	1.282
	1-1/4"	2.650	1.110	.345	2.950	N/A	N/A	N/A	1.615
253	1-1/2"	2.940	1.360	.345	2.950	N/A	N/A	N/A	1.850
	1/2"	1.506	.505	.265	1.490	.975	.439	.657	.812
	3/4"	2.100	.670	.325	1.677	1.028	.535	.770	1.015
	1"	2.350	.958	.295	1.695	1.085	.797	1.015	1.280
	1-1/4"	2.675	1.194	.327	1.818	1.280	1.021	1.273	1.615
254	1-1/2"	2.933	1.350	.345	1.875	1.280	1.258	1.530	1.850
	2"	3.511	1.842	.375	1.875	1.350	1.610	2.018	2.320
	1-1/4"	2.805	1.164	.316	1.500	1.280	.945	1.260	1.615
	1-1/2"	2.805	1.406	.316	1.500	1.280	1.115	1.475	1.850
	2"	3.525	1.672	.325	1.500	1.300	1.480	2.018	2.320

MARELON® is the marine-grade polymer plumbing system

Check our website at www.forespar.com

ELBOWS

Molded from high-strength **Marelon®**.
Dimension 'A' indicates pipe thread size.



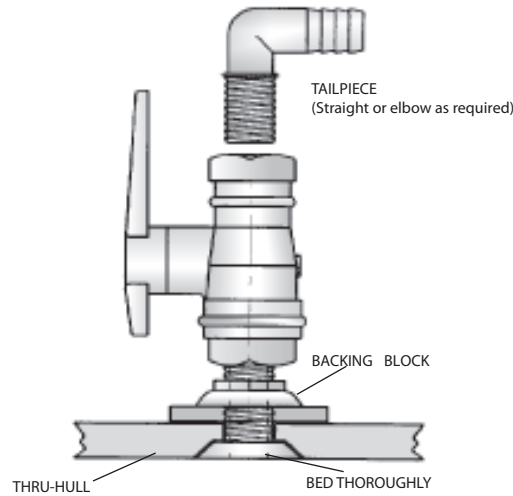
Part No.	Model No.	A	B	C	D	E
901000	HECM 8	1/2"	5/8"	7/16"	2"	1-1/2"
901001	HECM 12	3/4"	3/4"	1/2"	2-1/8"	1-5/8"
901002	HECM 16	1"	1"	5/8"	2-1/2"	1-7/8"
901003	HECM 20	1-1/4"	1-1/4"	7/8"	2-3/4"	2-5/16"
901004	HECM 24	1-1/2"	1-1/2"	1-1/16"	3-1/4"	2-3/4"
901005	HECM 32	2"	2"	1-1/2"	3-5/8"	3-1/4"
901006	HECF 8	1/2"	5/8"	7/16"	2"	1-5/8"
901007	HECF 12	3/4"	3/4"	9/16"	2-3/16"	1-3/4"
901008	HECF 16	1"	1"	5/8"	2-1/2"	1-7/8"
901009	HECF 20	1-1/4"	1-1/4"	7/8"	2-3/4"	2-1/2"
901010	HECF 24	1-1/2"	1-1/2"	1-1/8"	3-1/8"	2-3/4"
901011	HECF 32	2"	2"	1-9/16"	3-5/8"	3-1/4"
920207	MEC 8	1/2"			1-5/16"	1-7/16"
920336	MEC 12	3/4"			1-5/8"	1-5/8"

FEMALE THREADED BARBED HOSE FITTING

This fitting is also made of high strength composite polymer **Marelon®**



Part No.	Model No.
901014	1/2" FPT to 1/2" HOSE BARB
901015	3/4" FPT to 3/4" HOSE BARB
905012	1-1/2" FPT to 3/4" HOSE BARB
905013	1-1/2" FPT to 1" HOSE BARB
905015	1-1/2" FPT to 1-1/8" HOSE BARB
905014	1-1/2" FPT to 1-1/2" HOSE BARB



Part No.	Model No.	Thread Size	Body Dia.	Body Length	Length w/Handle
905100	MF 850 1/2"	1/2"	1-7/8"	3"	4"
905101	MF 850 3/4"	3/4"	1-7/8"	3"	4"
905102	MF 850 1"	1"	2-3/4"	4-3/4"	5-1/2"
905103	MF 850 1"-1/4"	1-1/4"	2-3/4"	4-7/8"	5-3/4"
905104	MF 850 1"-1/2"	1-1/2"	3-1/2"	5"	7-1/2"
905105	MF 850 2"	2"	4-1/4"	5-7/8"	8"

WATER STRAINER REDUCERS/ADAPTERS



Part No.	Model No.	Thread
901045	FTC 8	1/2" female
901046	FTC 12	3/4" female
901042	FTC 16	1" female
901044	FTC 20	1-1/4" female
901043	FTC 24	1-1/2" female
901041	FTC 32	2" female
901040	MTC 12-8	3/4"-1/2" male
901050	MTC 12-12	3/4"-3/4" male
901051	MTC 16-12	1"-3/4" male
901047	MTC 24-16	1-1/2"-1" male
901048	MTC 24-20	1-1/2"-1-1/4" male
901049	MTC 24-24	1-1/2"-1-1/2" male
910062	RB 24-16	1-1/2" male- 1" female
910063	RB 24-12	1-1/2" male- 3/4" female

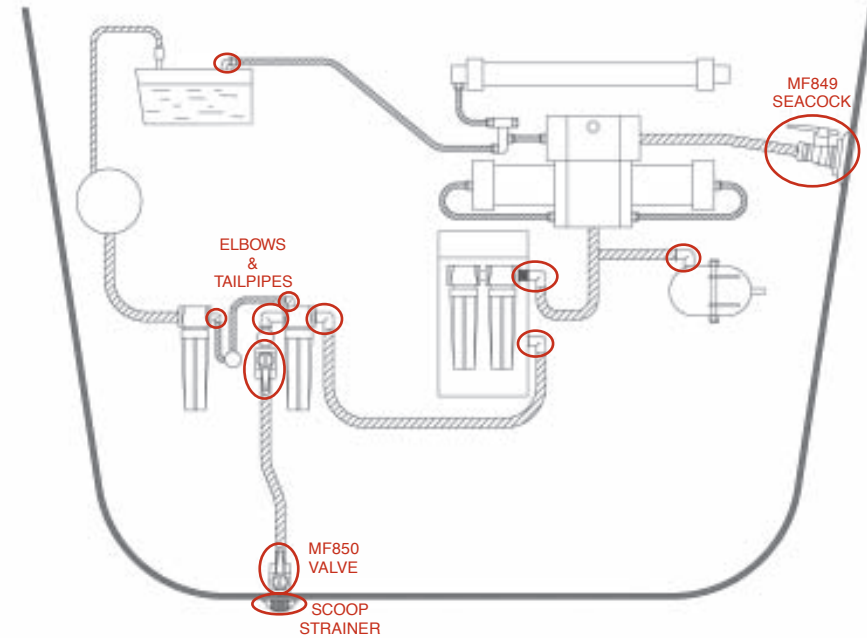
WATER STRAINER

This water strainer is made of **Marelon®** (same material as our valves). It features a new universal mounting bracket and clear polycarbonate lid for ready inspection. The **stainless steel strainer basket** can be easily removed for cleaning. Intake and exit ports are 1-1/2" ANP threads standard. Reducers for 3/4" I.D. hose are available separately. Diameter: 6.3" Height: 6.1". The flow rate is 40 GPM with 1-1/2" ports.

The new mounting bracket allows the strainer exit port to be positioned in the proper direction by simply loosening the bracket clamp and rotating the entire housing. This will allow the OEM or aftermarket customer greater flexibility in installation.



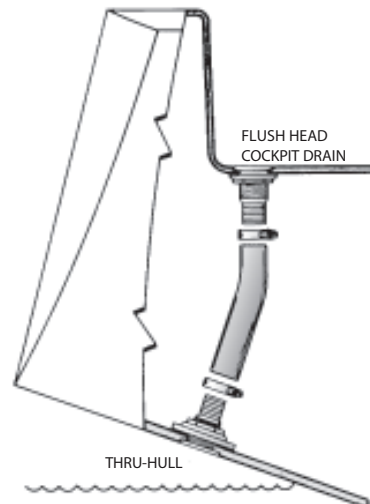
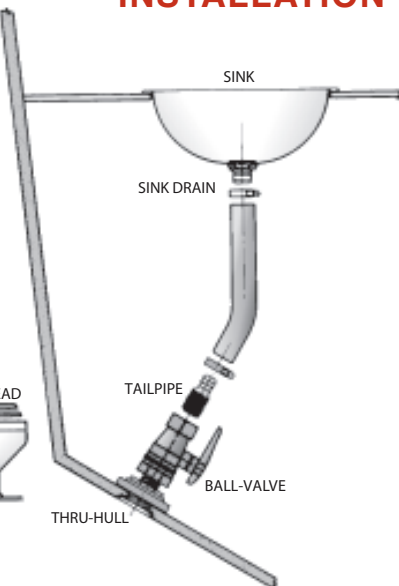
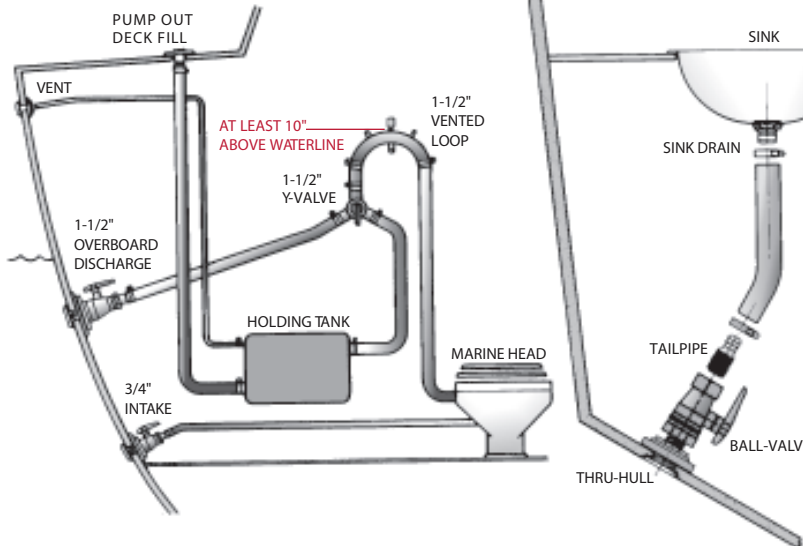
Part No.	Model No./Description
906066	MF 810 Water Strainer
906067	MF 811 Gasket Set
906065	s/s Basket only
920178	Cover only



TYPICAL HEAD INSTALLATION

SINK DRAIN INSTALLATION

COCKPIT DRAIN INSTALLATION



NOTE: IF A THRU-HULL IS TO BE INSTALLED LESS THAN 6" ABOVE WATERLINE, A BALL-VALVE OR SEACOCK MUST ALSO BE USED.

MARELON® IS...

Marelon® is the only synthetic material to be approved by the Marine U.L. (Underwriters Laboratories) for use below the waterline and has passed the same stringent tests as bronze. It exceeds the ISO standards and is approved by the A.B.Y.C. (American Boat and Yacht Council). Marelon® plumbing systems are corrosion and electrolysis resistant and will not freeze or become brittle with age or temperature extremes. Marelon® is the choice of top quality boat builders worldwide.

Ask for Marelon®