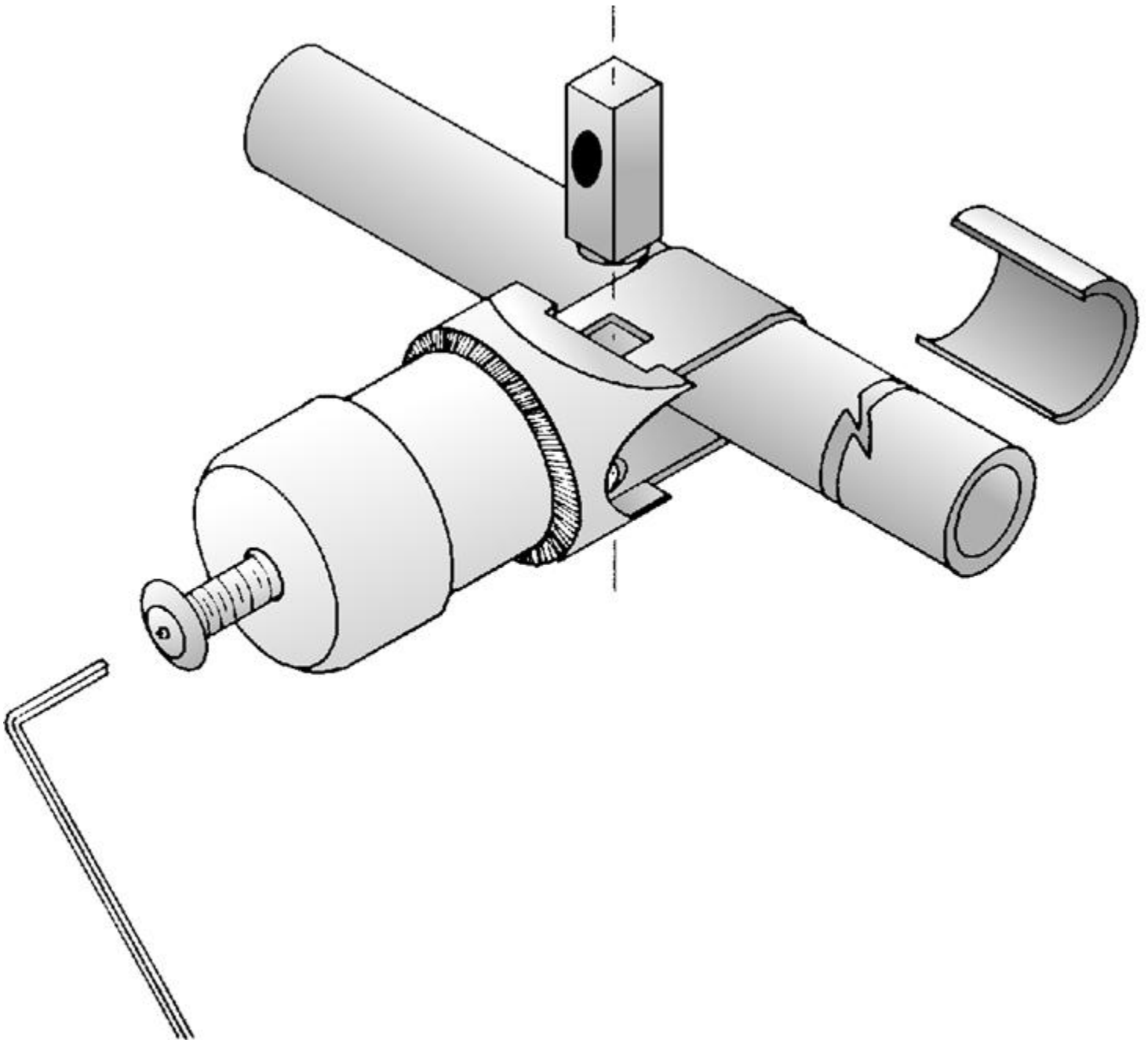




FORESPAR[®]

**DIAGRAM
INFO**

**GIMBALLED STOVE
MINI GALLEY**



Forespar[®]

22322 Gilberto Rancho Santa Margarita, CA. 92688

Ph: 949-858-8820 Fax: 949-858-0505

www.forespar.com

sales@forespar.com

www.facebook.com/foresparsailing www.twitter.com/foresparsailing