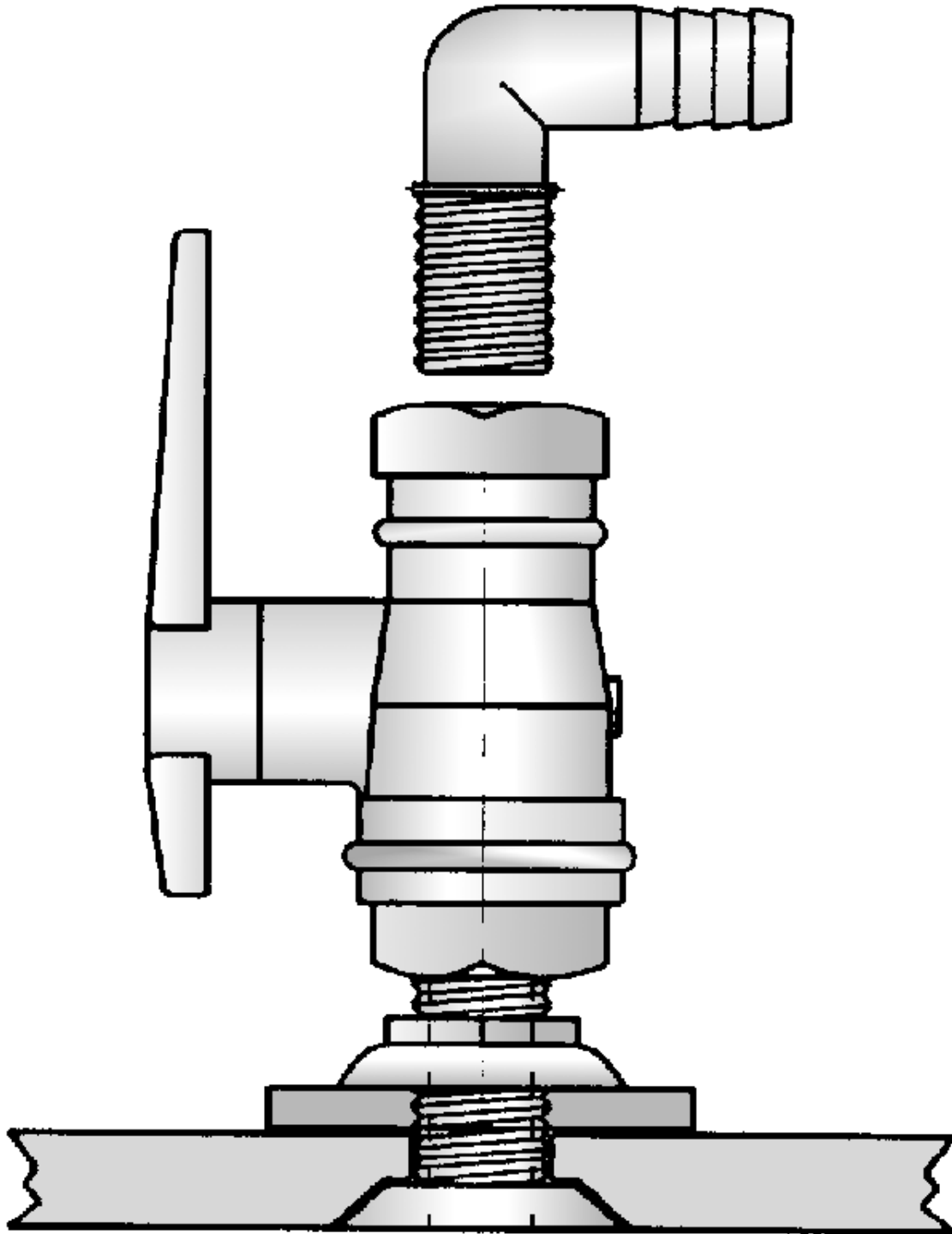




**FORESPAR®**

**DIAGRAM  
INFO**

**BALL VALVE**



**Forespar®**

22322 Gilberto Rancho Santa Margarita, CA. 92688

Ph: 949-858-8820 Fax: 949-858-0505

[www.forespar.com](http://www.forespar.com)

[sales@forespar.com](mailto:sales@forespar.com)

[www.facebook.com/foresparsailing](http://www.facebook.com/foresparsailing) [www.twitter.com/foresparsailing](http://www.twitter.com/foresparsailing)