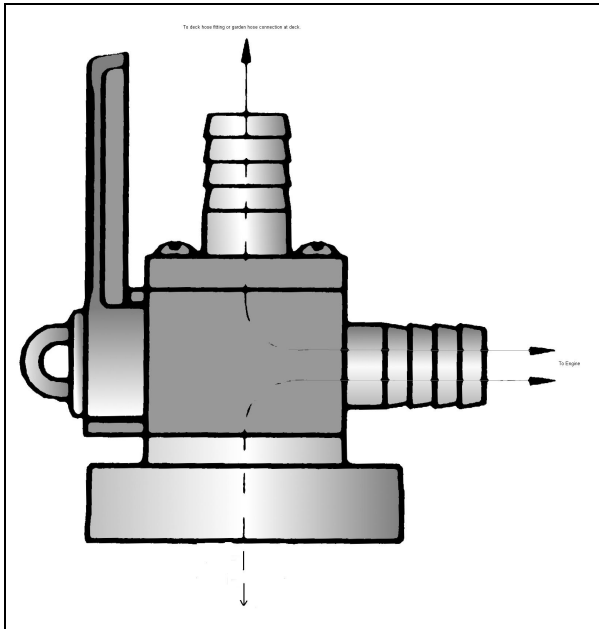




ENGINE FLUSH OUT VALVES

Keep your engine in top shape with regular fresh water flushes



Flush out valve with hose barb top



Flush out valve with garden hose top

A one-time installation of a Marelon "Y" valve seacock will make regular engine flushes and winterizing as easy as throwing a handle 180°!! Hard plumb your engine to the horizontal barb (shown above on the right side of the valves) and then set your garden hose to the top connection. Throw the handle and you're ready to flush. It's just that simple.

Forespar®

22322 Gilberto

Rancho Santa Margarita, CA. 92688 USA

Ph: 949-858-8820 Fax: 949-858-0505

sales@forespar.com www.forespar.com